



BOMAG
FAYAT GROUP

Single Drum Vibratory Rollers

BW145-5 Series



KEY FEATURES

- 56" inch drum width
- Tier 4 final compliance
- ECOMODE increases fuel efficiency
- No daily grease points
- Dual pump travel system for DH/PDH
- Compact design for easy transport
- Optional leveling blade for DH/PDH
- Optional BOMAG Terrameter with Evib



BW145-5 Series



■ *An Innovative New Design for Production, Quality and R.O.I.*

■ Applications:

- Confined area jobsites
- Utility and municipal projects
- Highway construction and maintenance
- Residential and commercial construction
- Parking lots

■ Tier 4 final compliant:

- D model Duetz engine utilizes a diesel oxidation catalyst (DOC)
- DH/PDH model Kubota engine utilizes a diesel particulate filter (DPF)





Optional Cab offers excellent visibility and comfort.



Operator's cockpit features dual entry accessibility.

BOMAG's NEW -5 Series Single Drum Rollers offer several new benefits.

- Operators will appreciate the updated cockpit with its spacious area, easy reach controls, and safe sightlines.
- Service technicians will be more efficient with easy daily checks and maintenance items.
- QA/QC personnel and site foremen will appreciate the production benefits of the optional TERRAMETER.
- Owners will achieve efficient utilization, uptime, and return on their equipment investment.
- Optional cab, leveling blade, and padfoot shell kits increase machine versatility.



Clear design of the operating controls.

MODEL	Compaction Output (cu. yd/h) at recommended soil layer/lift thickness. *		
	Gravel, Sand	Mixed Soils	Silt, Clay
BW145D-5	209 - 419	157 - 314	78 - 157
BW145DH-5	209 - 419	157 - 314	78 - 157
BW145PDH-5	209 - 419	157 - 314	105 - 209

MODEL	Compaction Layer Thickness (in).*		
	Gravel, Sand	Mixed Soils	Silt, Clay
BW145D-5	16	12	6
BW145DH-5	16	12	6
BW145PDH-5	16	12	8

* Compaction output influenced by soil/material type and moisture content.

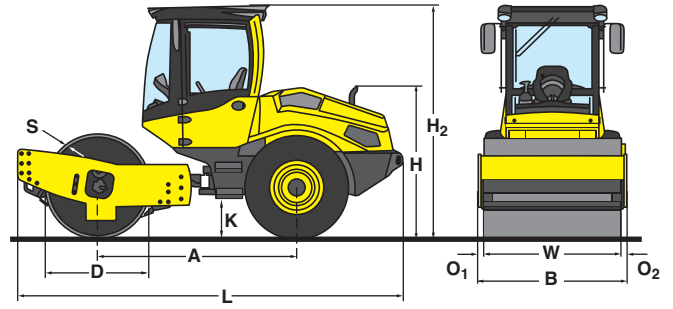


Models are suitable for compaction of granular, mixed and semi-cohesive soils.

Best for
COMPACTION

Technical Specifications

BW145-5 Series



Shipping dimensions

in cubic feet (m ³)	without/with ROPS	
BW145D-5	376.7 (10.7)	652.5 (18.5)
BW145DH-5	376.7 (10.7)	652.5 (18.5)
BW145PDH-5	376.7 (10.7)	652.5 (18.5)

Standard Equipment

- BOMAG ECOMODE
- Double pump system for travel drive (DH/PDH)
- Dual frequencies and amplitudes
- Warning, information and operation displays
- Hydrostatic travel and vibration drive
- Hydrostatic articulated steering
- Articulated joint lock
- Rear axle with (SAHR) brakes
- No-Spin rear differential
- Warning horn
- Single lever control for travel and vibration
- Emergency STOP
- Noise reducing insulation
- Back-up alarm
- Tractor tires (PDH)
- ROPS/FOPS with seat belt

Optional Equipment

- ROPS cab with heating
- Air conditioning
- Sliding side windows
- Radio
- ECOSTOP
- Working lights front/rear
- Indicator and hazard lights
- Rotary beacon
- Rearview camera
- Adjustable tilt steering column
- TERRAMETER
- Printer for TERRAMETER
- BOMAG TELEMATIC
- Tractor tires (D/DH)
- Padfoot segment kit (D/DH)
- Leveling blade (DH/PDH)

Dimensions in inches (mm)

	A	B	D	H	H ₂	K	L	O ₁	O ₂	S	W
BW145D-5	88.6 (2250)	61.3 (1556)	41.7 (1058)	61.8 (1570)	107.1 (2720)	12.6 (320)	171.9 (4366)	2.6 (65)	2.6 (65)	0.79 (20)	56.1 (1426)
BW145DH-5	88.6 (2250)	61.3 (1556)	41.7 (1058)	61.8 (1570)	107.1 (2720)	12.6 (320)	171.9 (4366)	2.6 (65)	2.6 (65)	0.79 (20)	56.1 (1426)
BW145PDH-5	88.6 (2250)	61.3 (1556)	41.1 (1044)	61.8 (1570)	107.1 (2720)	12.6 (320)	171.9 (4366)	2.6 (65)	2.6 (65)	0.59 (15)	56.1 (1426)

Technical Data

Weights

	BOMAG BW145D-5	BOMAG BW145DH-5	BOMAG BW145PDH-5
Operating weight (ROPS) lb (kg)	10053 (4560)	10207 (4630)	10758 (4880)
Axle load, drum lb (kg)	5269 (2390)	5335 (2420)	5886 (2670)
Axle load, wheel lb (kg)	4784 (2170)	4872 (2210)	4872 (2210)
Static linear load pli (kg/cm)	93.9 (16.7)	95.1 (16.9)	
Operating weight (ROPS-cabin) . . lb (kg)	10472 (4750)	10626 (4820)	11177 (5070)

Driving Characteristics

Speed (1) mph (km/h)	0-2.4 (0-3.8)	0-6.2 (0-10)	0-6.2 (0-10)
Speed (2) mph (km/h)	0-3 (0-4.9)		
Speed (3) mph (km/h)	0-4 (0-6.5)		
Speed (4) mph (km/h)	0-6 .2 (0-10)		
Max. gradeability (without/with vibr.) . %	51/48	64/59	64/59

Drive

	BOMAG BW145D-5	BOMAG BW145DH-5	BOMAG BW145PDH-5
Engine manufacturer	Deutz	Kubota	Kubota
Type	TD 2.9 L04	V3307 CR-T	V3307 CR-T
Tier compliance	4 Final	4 Final	4 Final
Cooling	water	water	water
Number of cylinders	4	4	4
Performance SAE J 1995 hp	74	74	74
Performance ISO 3046 kW	55.4	55.4	55.4
Speed rpm	2400	2400	2400
Fuel	diesel	diesel	diesel
Electric equipment V	12	12	12
Drive system	hydrostatic	hydrostatic	hydrostatic
Drum driven	standard	standard	standard

Tires

Tire size	12.5-20/12PR	12.5-20/12PR	12.4-24/12PR
---------------------	--------------	--------------	--------------

Brakes

Service brake	hydrostatic	hydrostatic	hydrostatic
Parking brake	hydromechanical	hydromechanical	hydromechanical

Steering

Steering system	oscil. artic.	oscil. artic.	oscil. artic.
Steering method	hydrostatic	hydrostatic	hydrostatic
Steering / oscillating angle +/- deg	35/12	35/12	35/12

Exciter system

Drive system	hydrostatic	hydrostatic	hydrostatic
Frequency VPM (Hz)	1860/2280 (31/38)	1860/2280 (31/38)	1860/2280 (31/38)
Amplitude in (mm)	0.067/0.031 (1.70/0.80)	0.067/0.031 (1.70/0.80)	0.057/0.028 (1.45/0.70)
Centrifugal force lb (kN)	17985/12589 (80/56)	17985/12589 (80/56)	17985/12589 (80/56)

Capacities

Fuel gal (l)	29 (110)	29 (110)	29 (110)
------------------------	----------	----------	----------

Optional Blade Data

Additional weight lb (kg)	---	830 (377)	830 (377)
Additional length in (mm)	---	16 (400)	16 (400)
Blade dimension in (mm)	---	23 x 67.9 (585 x 1725)	23 x 67.9 (585 x 1725)

* Technical modifications reserved.
Machines may be shown with options.